

Lecture 10: Compressed Suffix Trees

Johannes Fischer

What we already have...

- Text + BWT + WT and backwards search
 - ⇒ $O(m \lg \sigma)$ counting queries for $P[l,m]$
 - ▶ space $O(n \lg \sigma)$ **bits** (text size!)
- + sampled suffix array values
 - ⇒ $O(k \lg n)$ for enumerating k occurrences
 - ▶ can be improved to $O(k \lg^\varepsilon n)$ for $\varepsilon < 1$

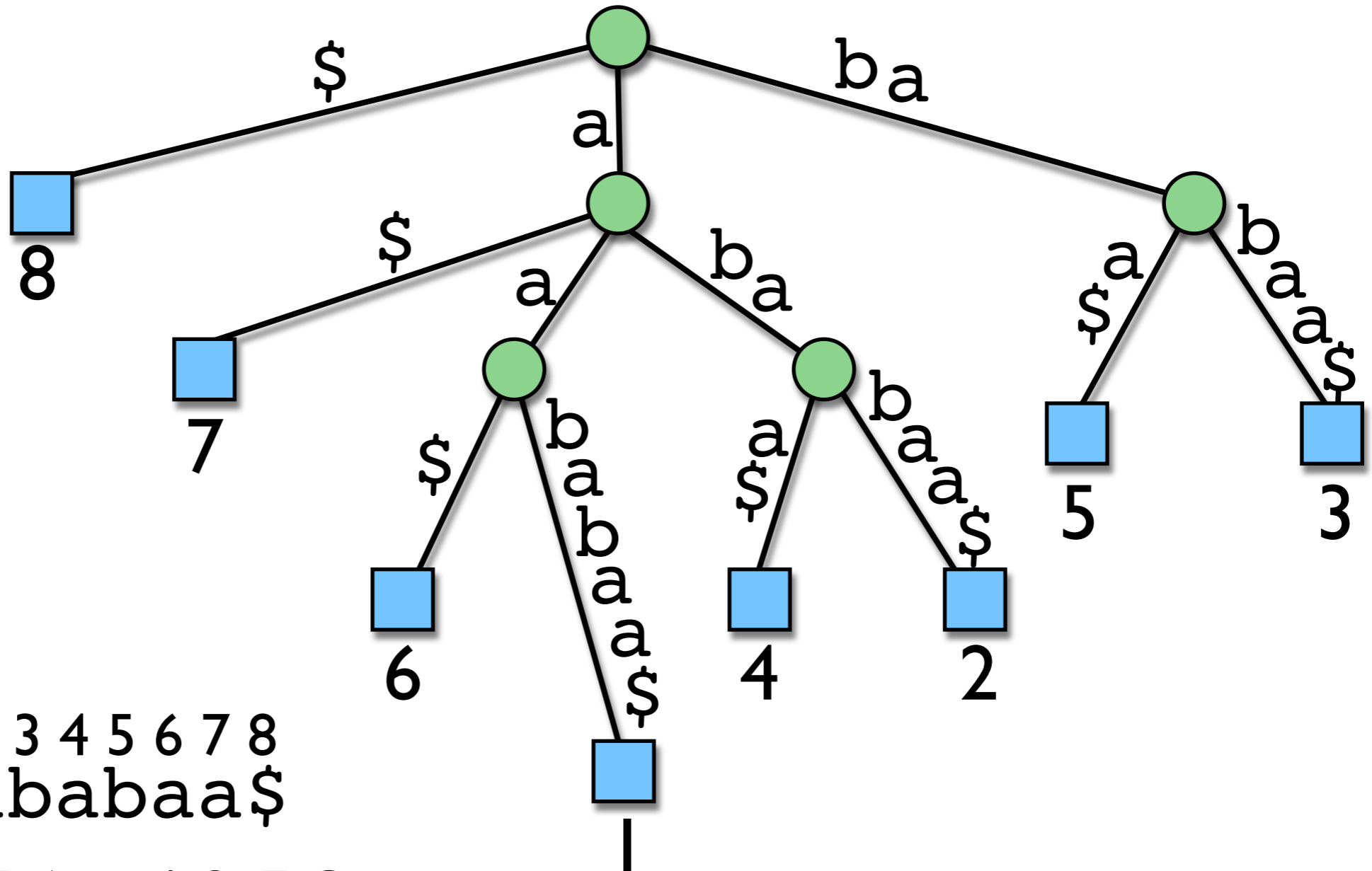
Suffix Tree Functionality

- often, **more functionality** is desired
 - ▶ repeat recognition (e.g. $T = \alpha\rho\beta\rho\gamma$)
 - ▶ tandem repeats (e.g. $T = \alpha\rho\rho\beta$)
 - ▶ longest common substrings
 - ▶ matching statistics
 - ▶ suffix-prefix matches
 - ▶ etc.
- want **suffix tree** functionality!



compress?

Suffix Tree



$T =$ 1 2 3 4 5 6 7 8
 a a b a b a a \$

$A =$ 8,7,6,1,4,2,5,3

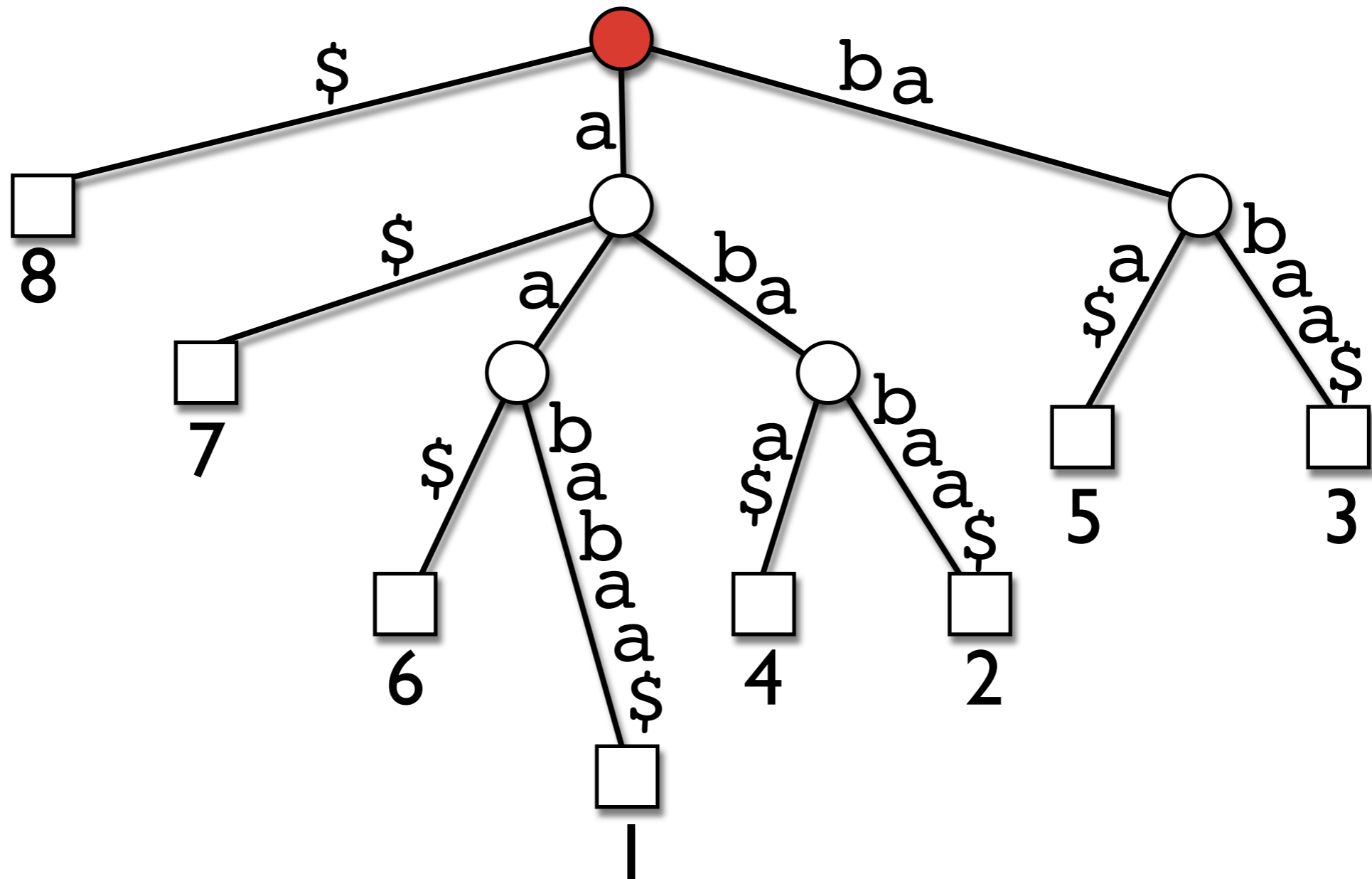
Some real numbers

- **guess**: how much bigger than text is ST?
A: <10 B: 10-20 C: >20
- Suffix Tree
 - ▶ **20-40** times text size !!!
- Text+BWT+WT (incl. rank/select):
 - ▶ **≈3** times text size
- **goal**: drop suffix tree and simulate operations using suffix- and LCP array

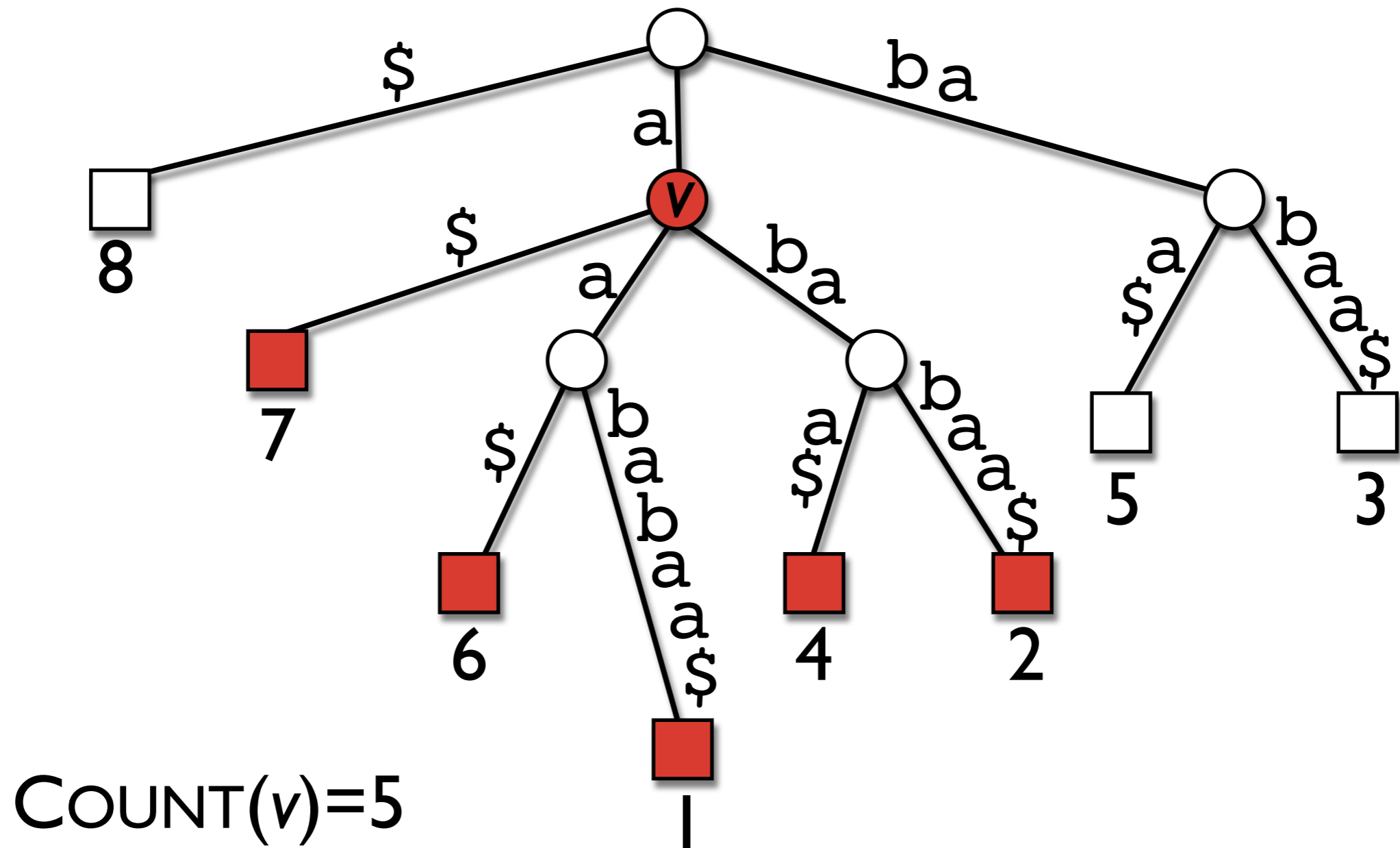
ST Operations

| Operation | Description |
|---------------------|--|
| ROOT() | return root |
| COUNT(v) | count leaves below v |
| ISANCESTOR(v,w) | true if v is an ancestor of w |
| ISLEAF (v) | true if v is a leaf |
| LEAFLABEL(v) | suffix number represented by leaf v |
| SDEPTH(v) | string depth of v |
| PARENT(v) | parent node of v |
| FIRSTCHILD(v) | first (alphabetically smallest) child of v |
| NEXTSIBLING(v) | next sibling of v |
| EDGELABEL(v,i) | i 'th letter on the edge leading to v |
| LCA(v,w) | lowest common ancestor of v and w |

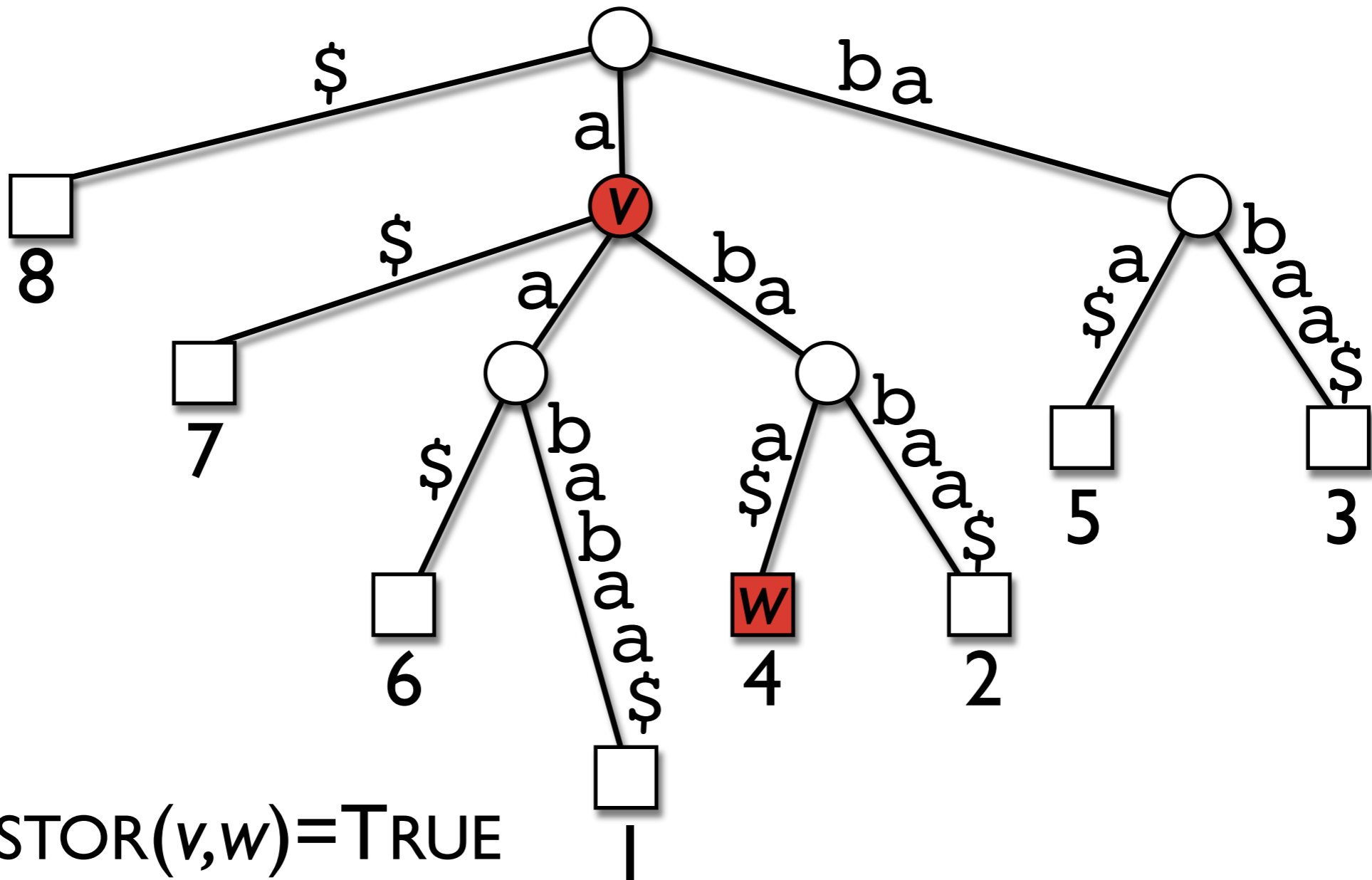
ROOT()



COUNT(v)

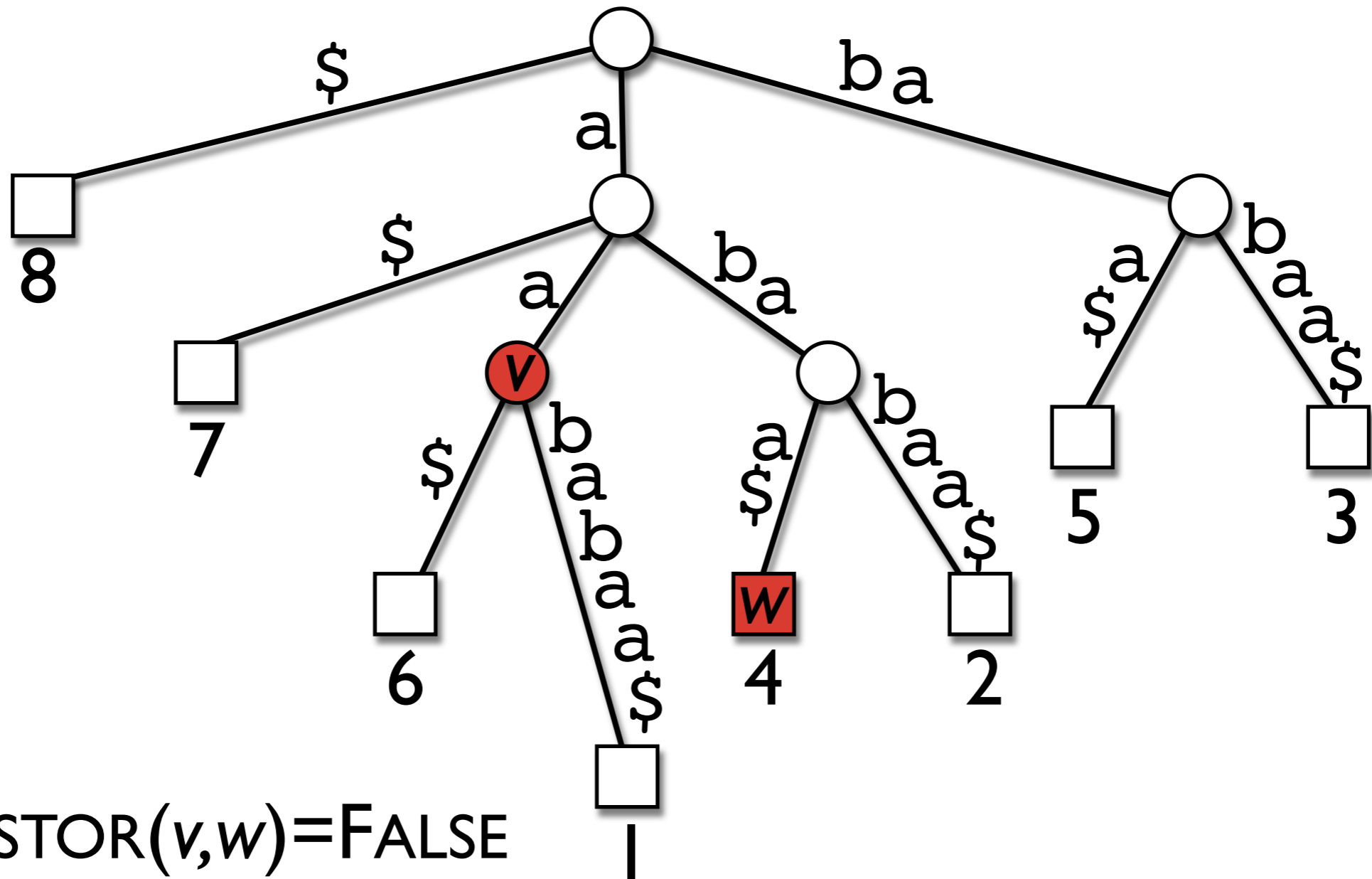


ISANCESTOR(v,w)



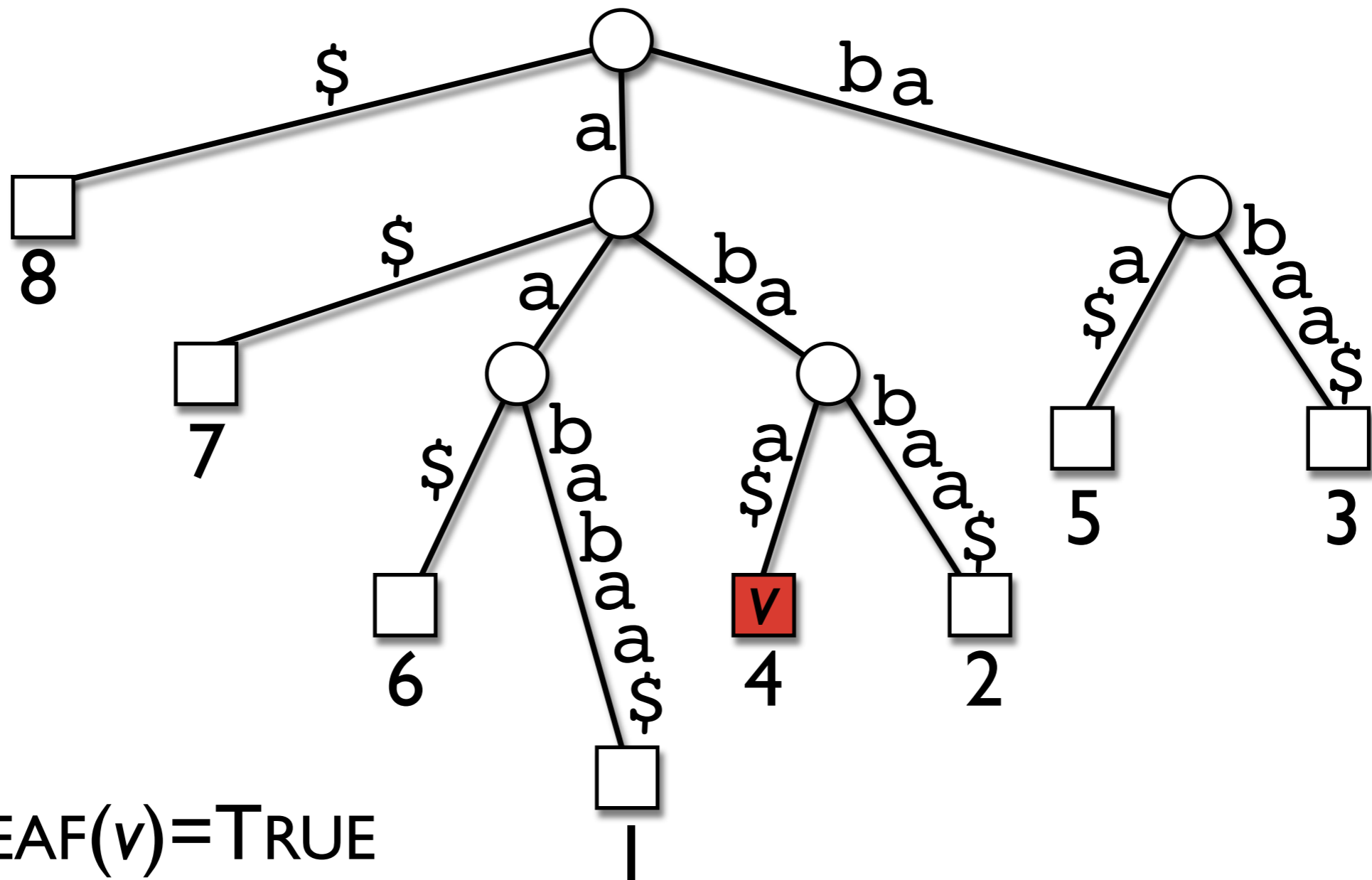
ISANCESTOR(v,w)=TRUE

ISANCESTOR(v,w)



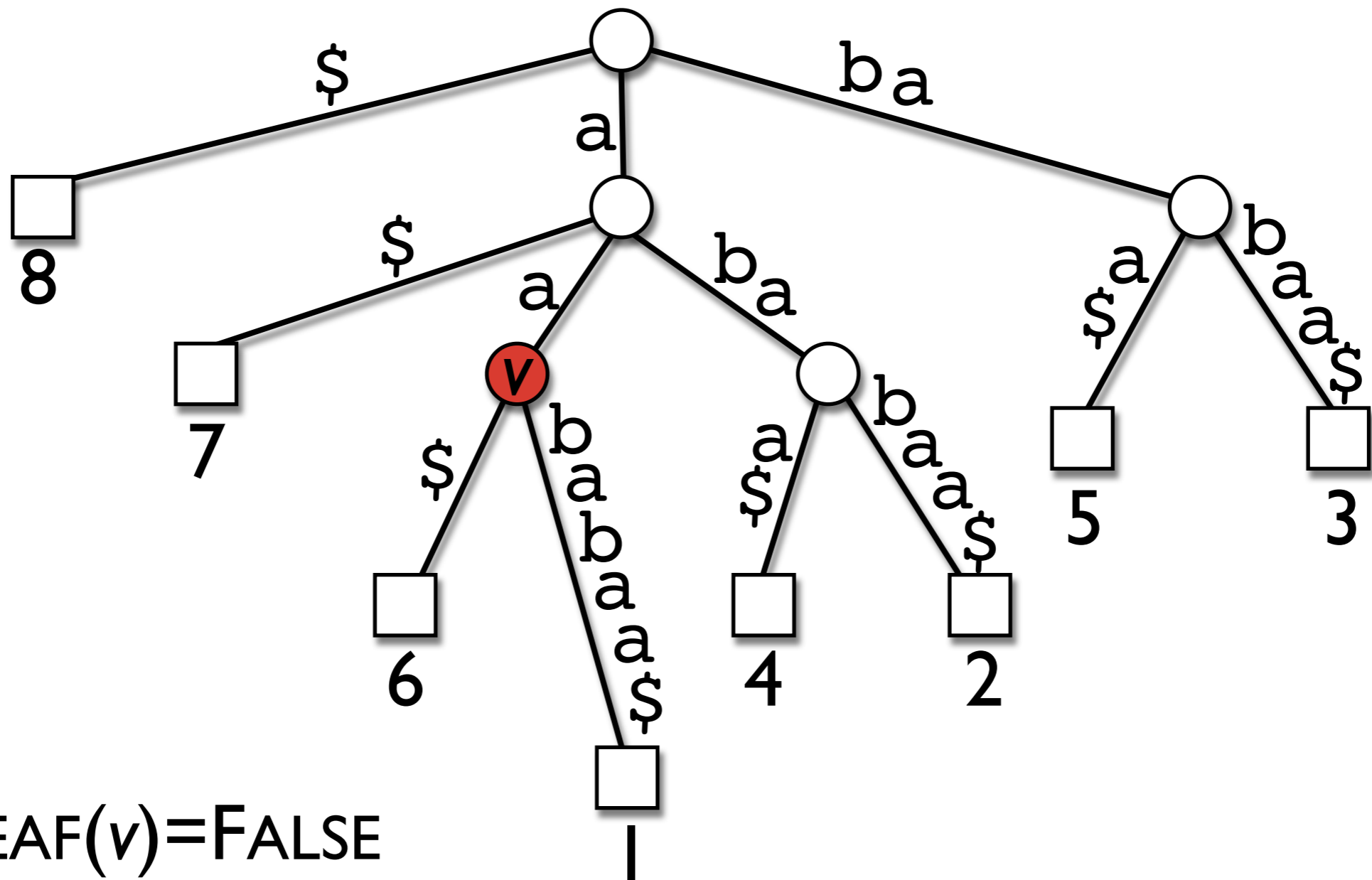
ISANCESTOR(v,w)=FALSE

ISLEAF(v)



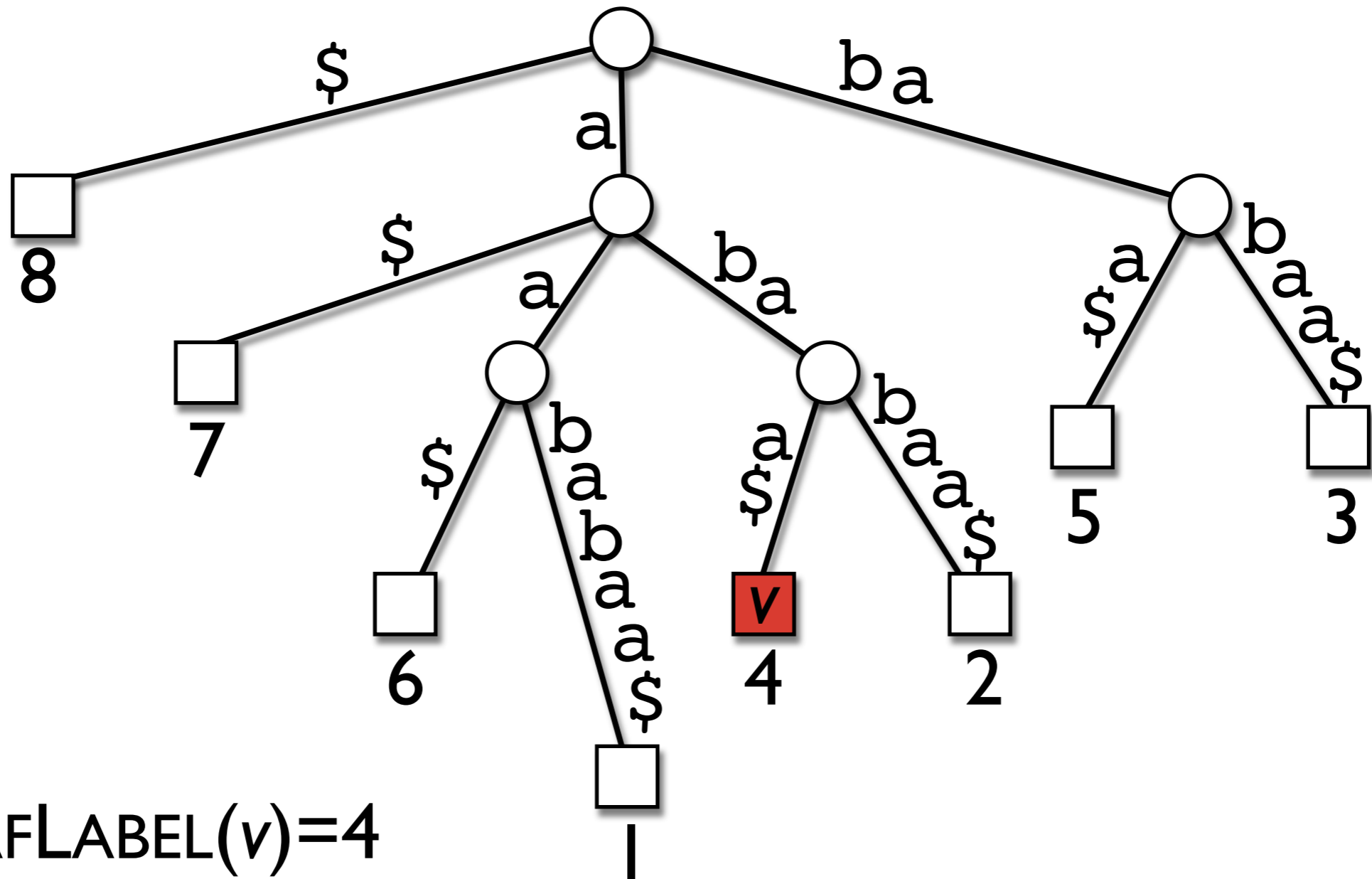
ISLEAF(v)=TRUE

ISLEAF(v)



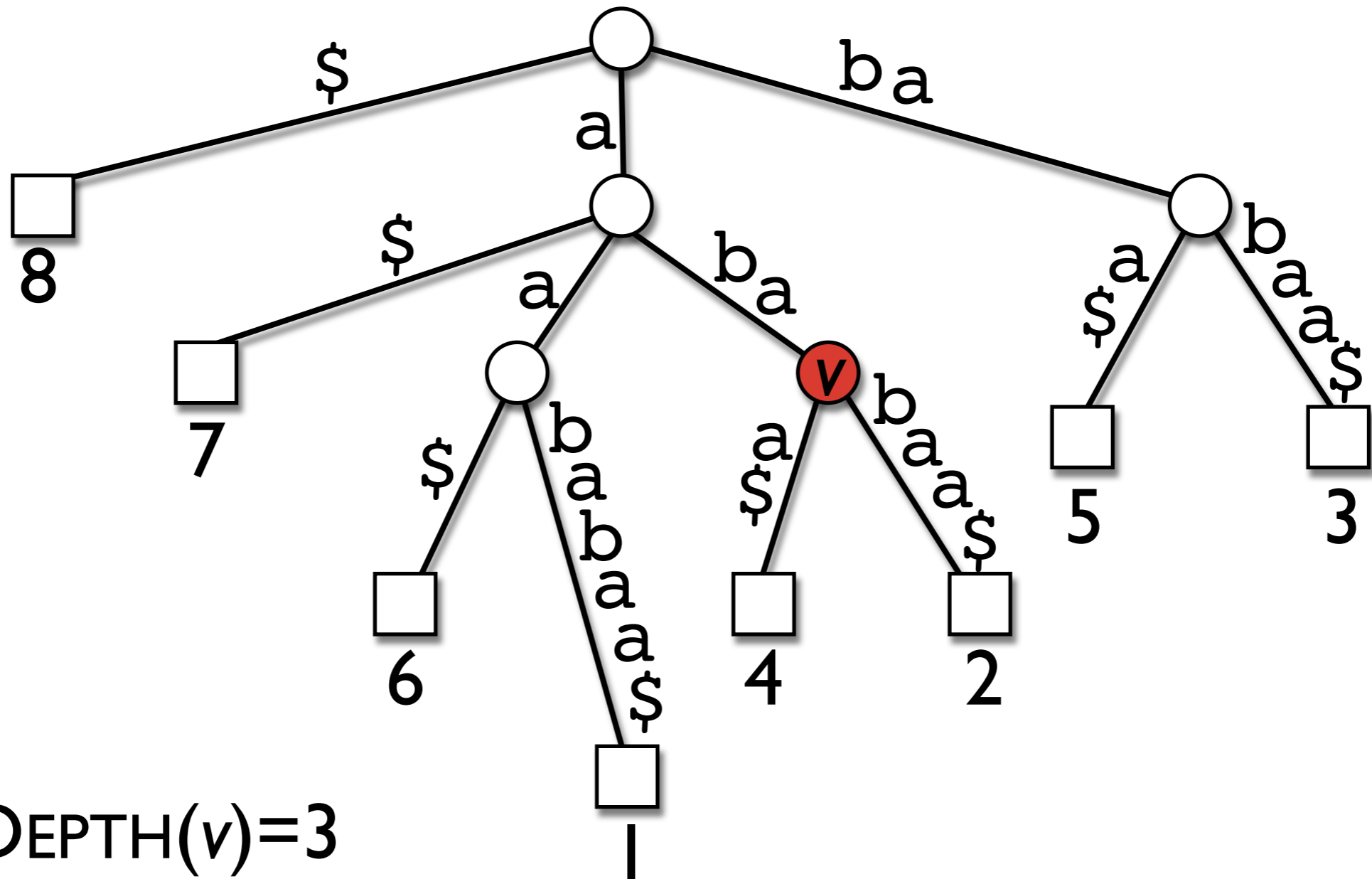
ISLEAF(v)=FALSE

LEAFLABEL(v)



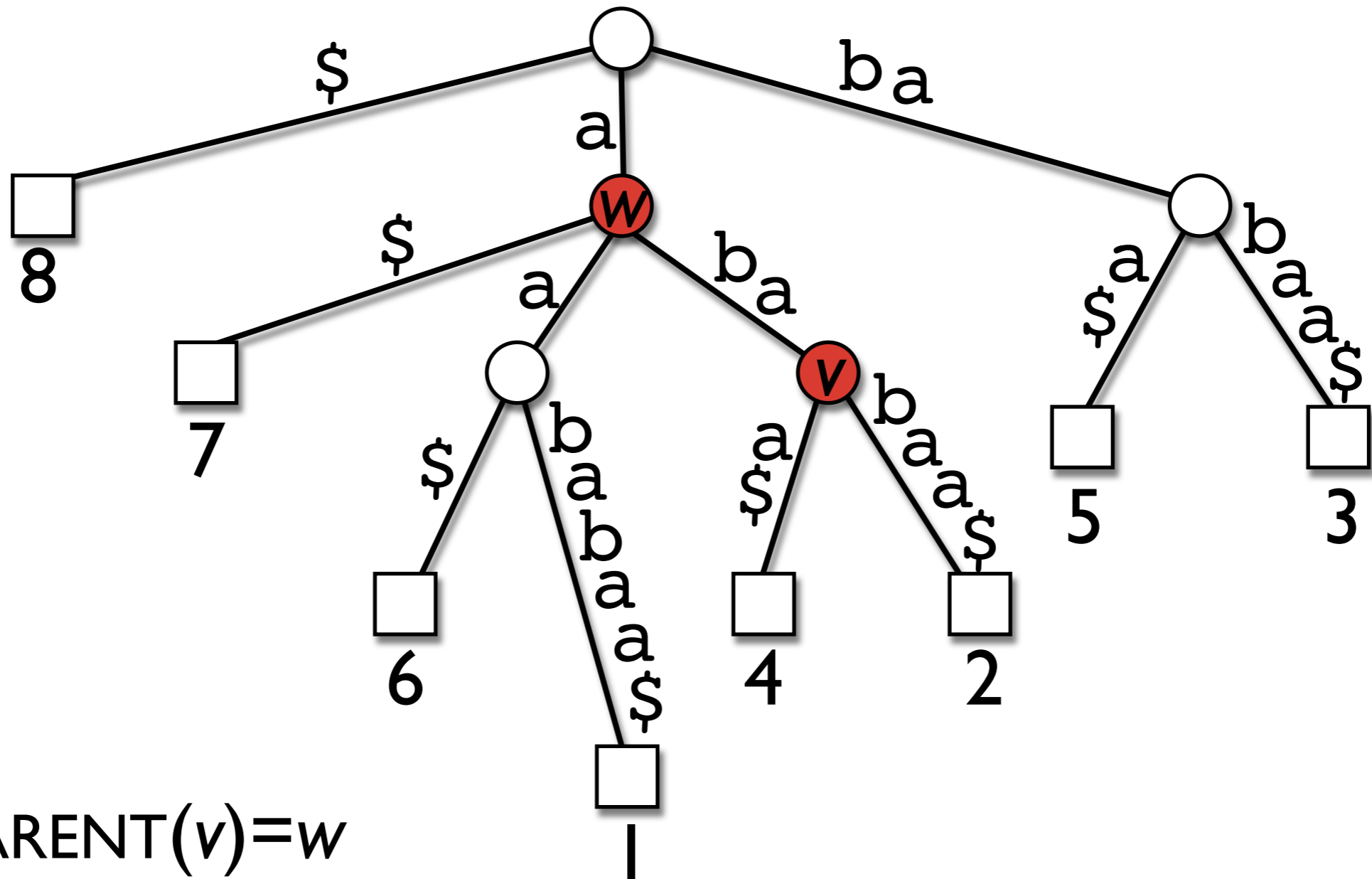
LEAFLABEL(v)=4

SDEPTH(v)

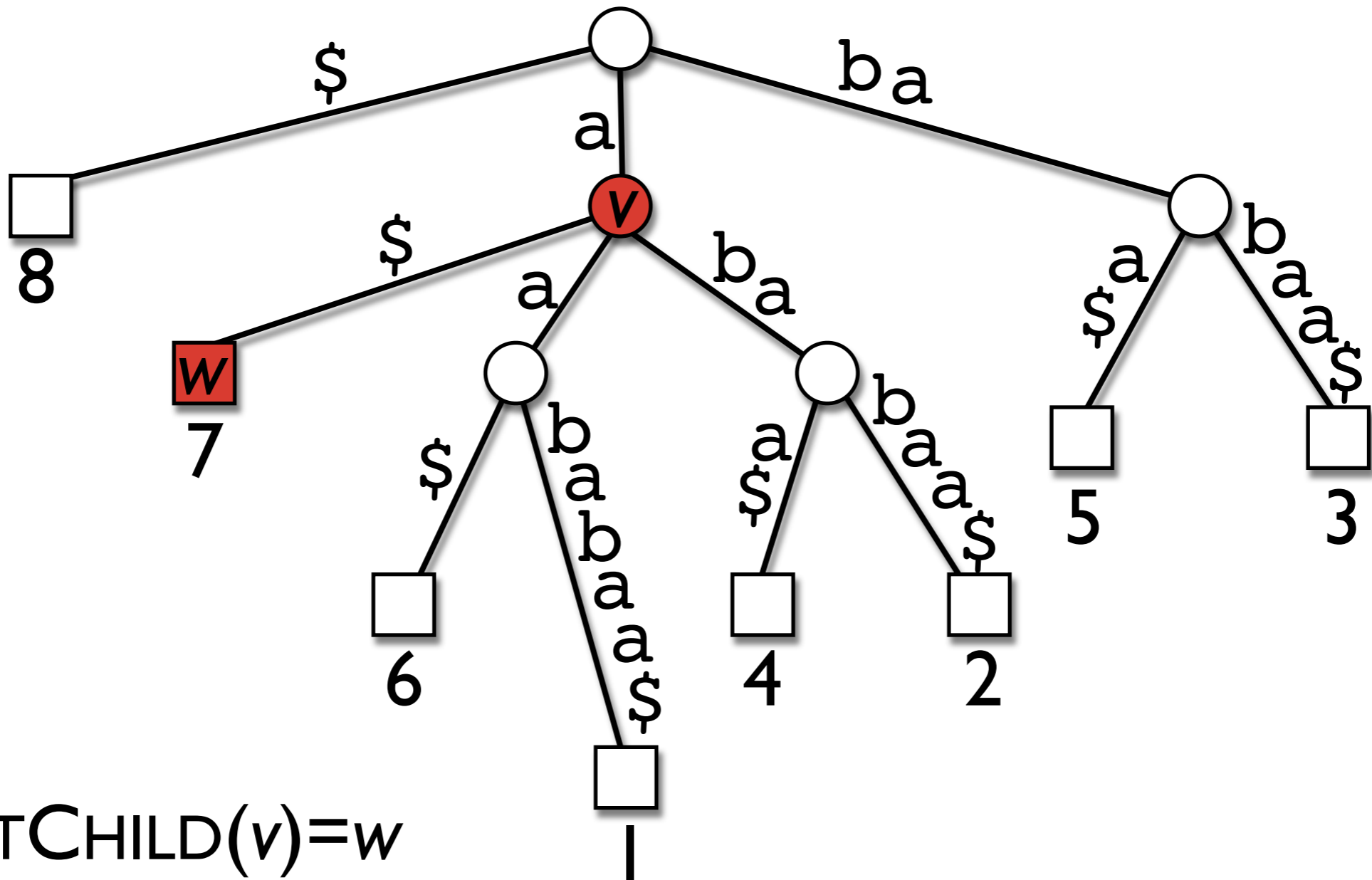


SDEPTH(v)=3

PARENT(v)

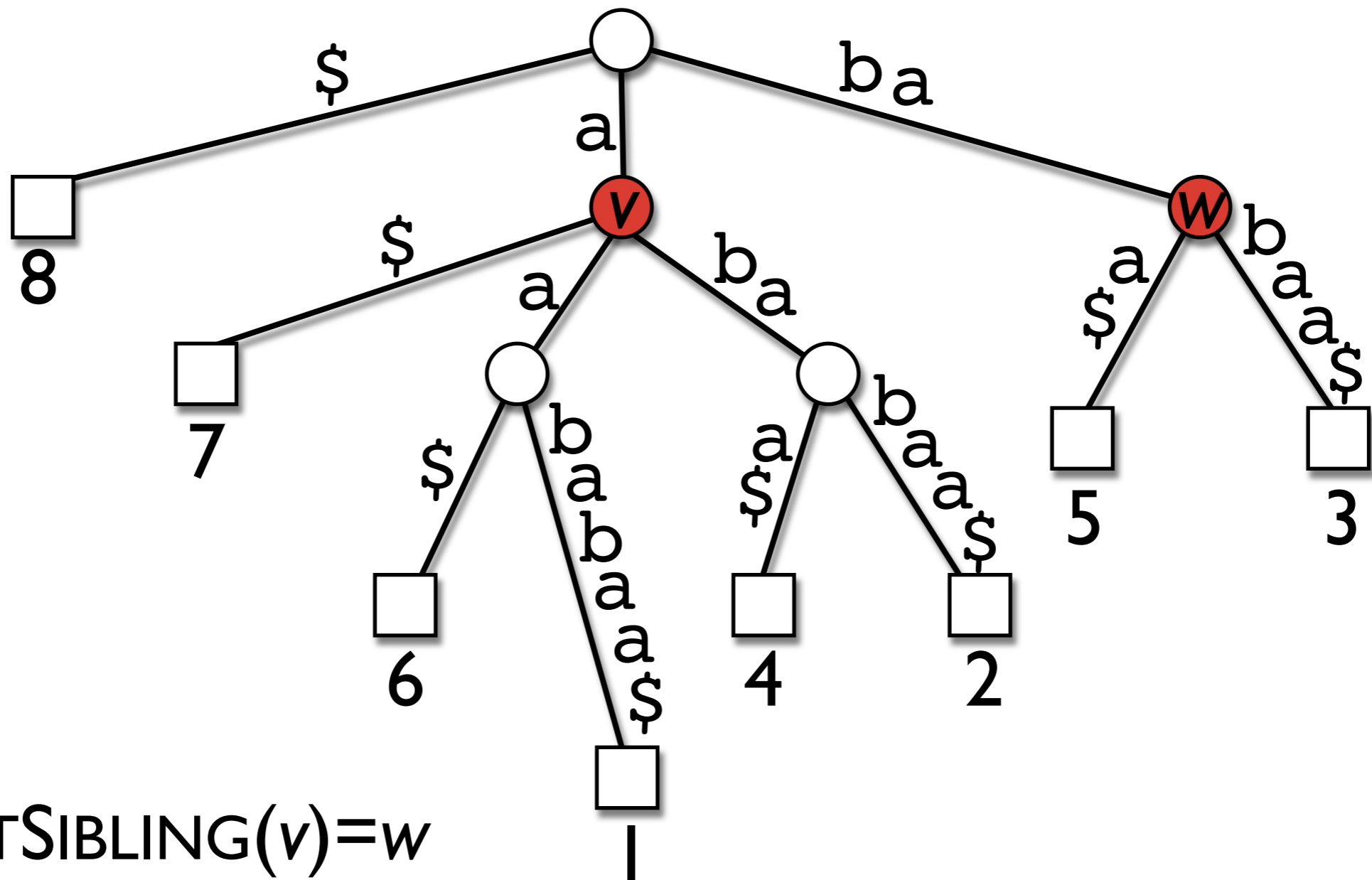


FIRSTCHILD(v)

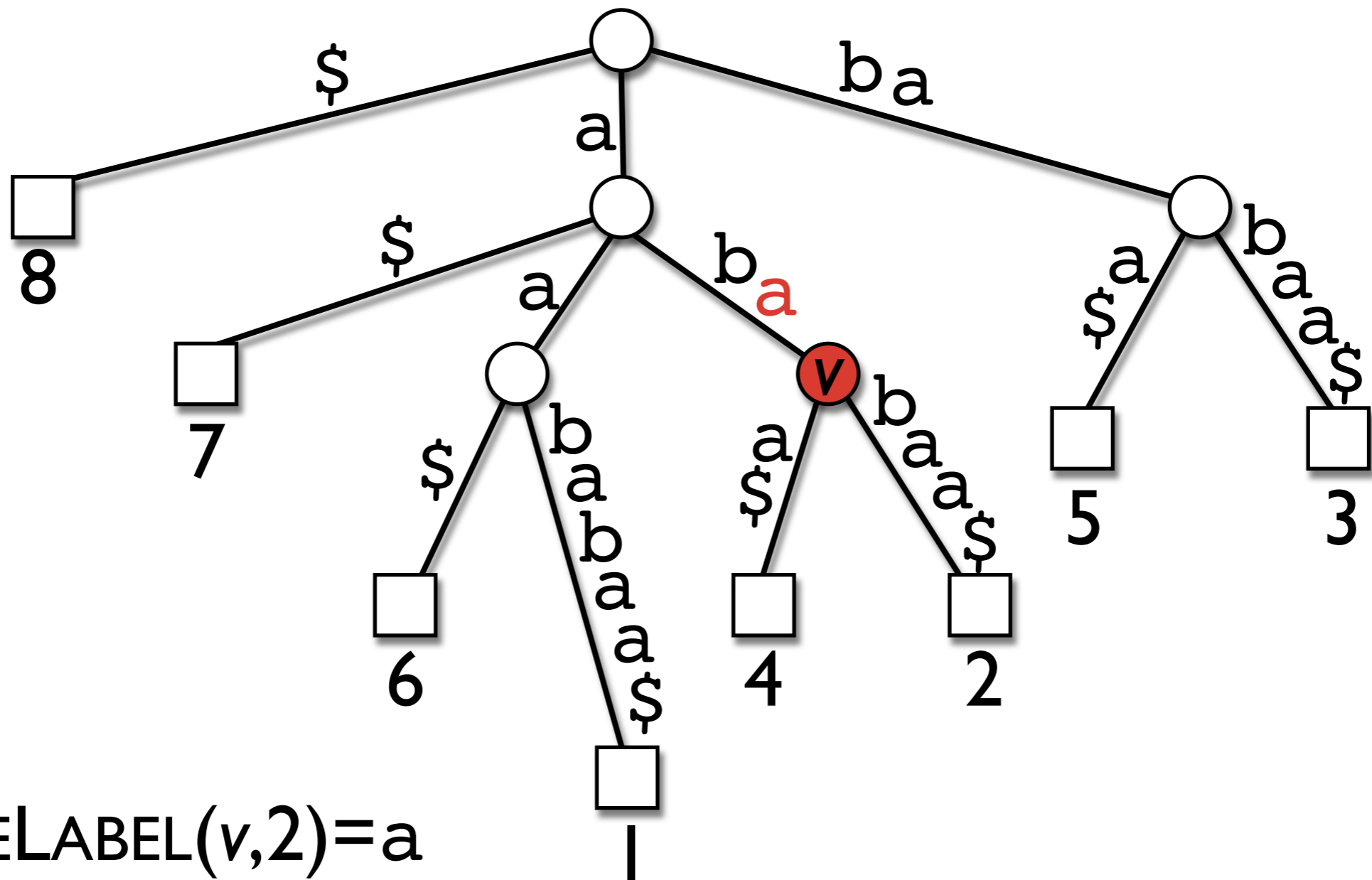


FIRSTCHILD(v)=w

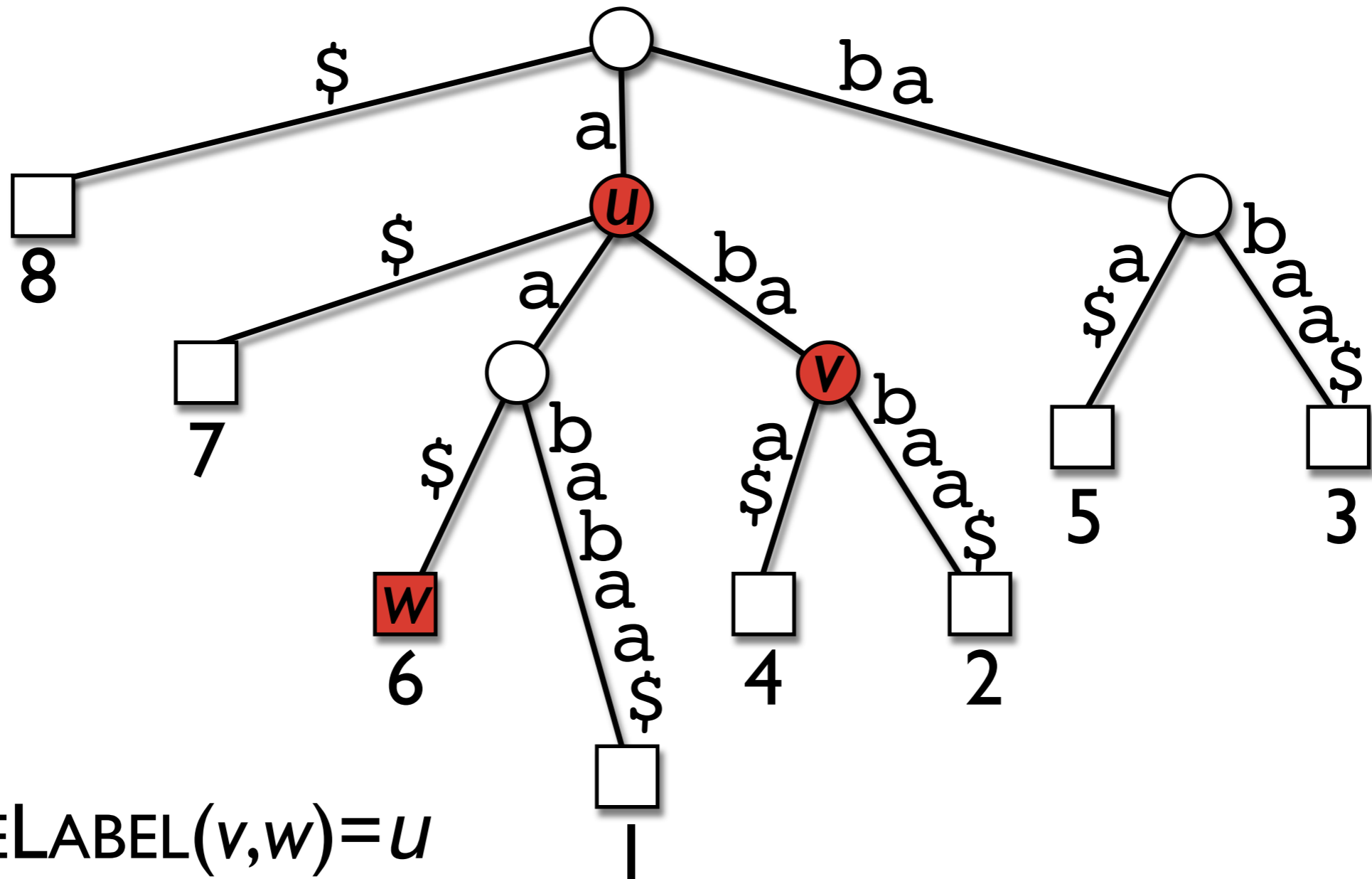
NEXTSIBLING(v)



EDGE LABEL(v, i)



LCA(v,w)

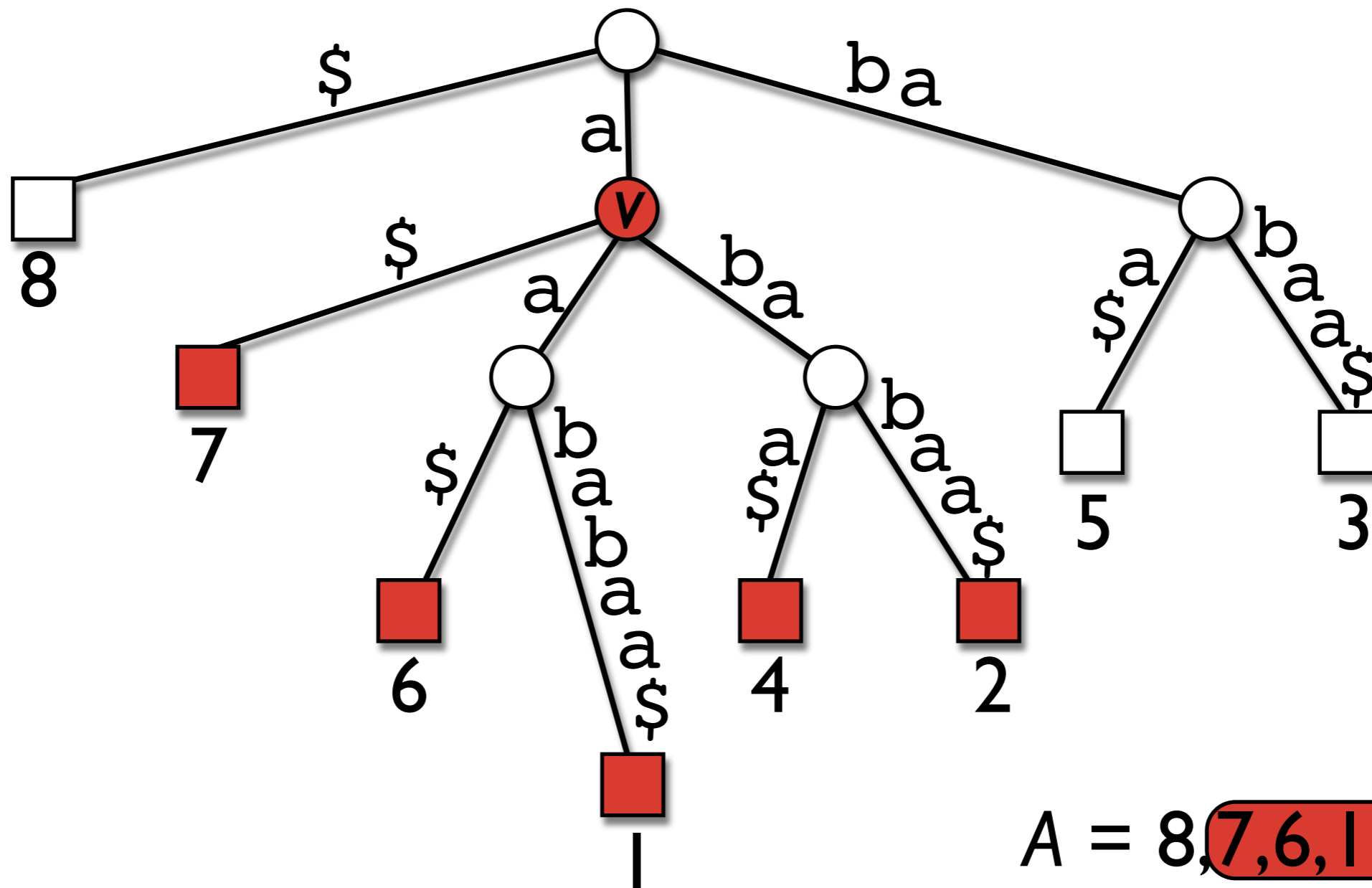


EDGE LABEL(v,w) = u

Goal

drop suffix tree and **simulate** operations
using suffix- and LCP array

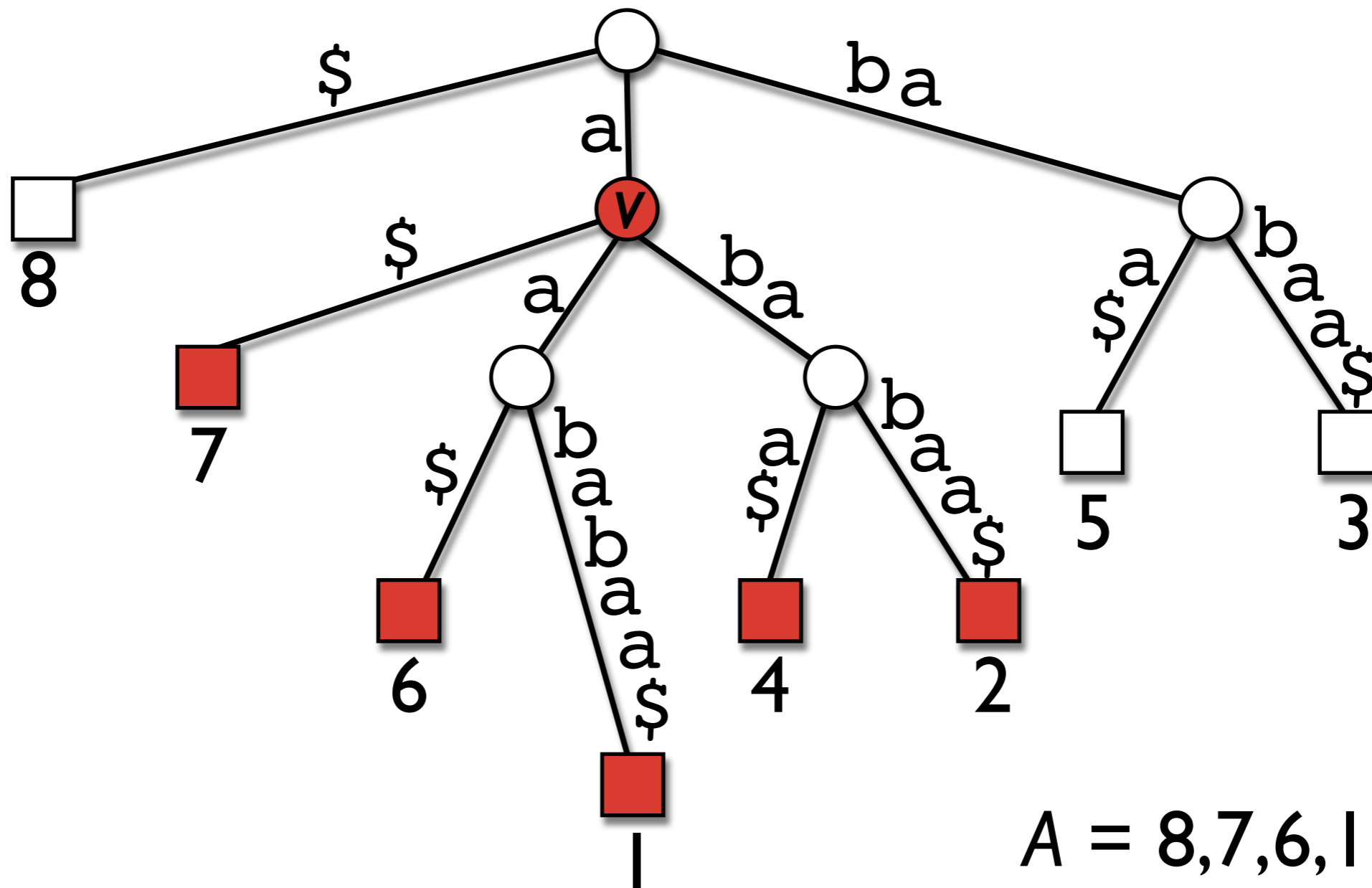
Represent Nodes by Intervals



$$A = 8, 7, 6, 1, 4, 2, 5, 3$$

$$H = -1, 0, 1, 2, 1, 3, 0, 2$$

Represent Nodes by Intervals

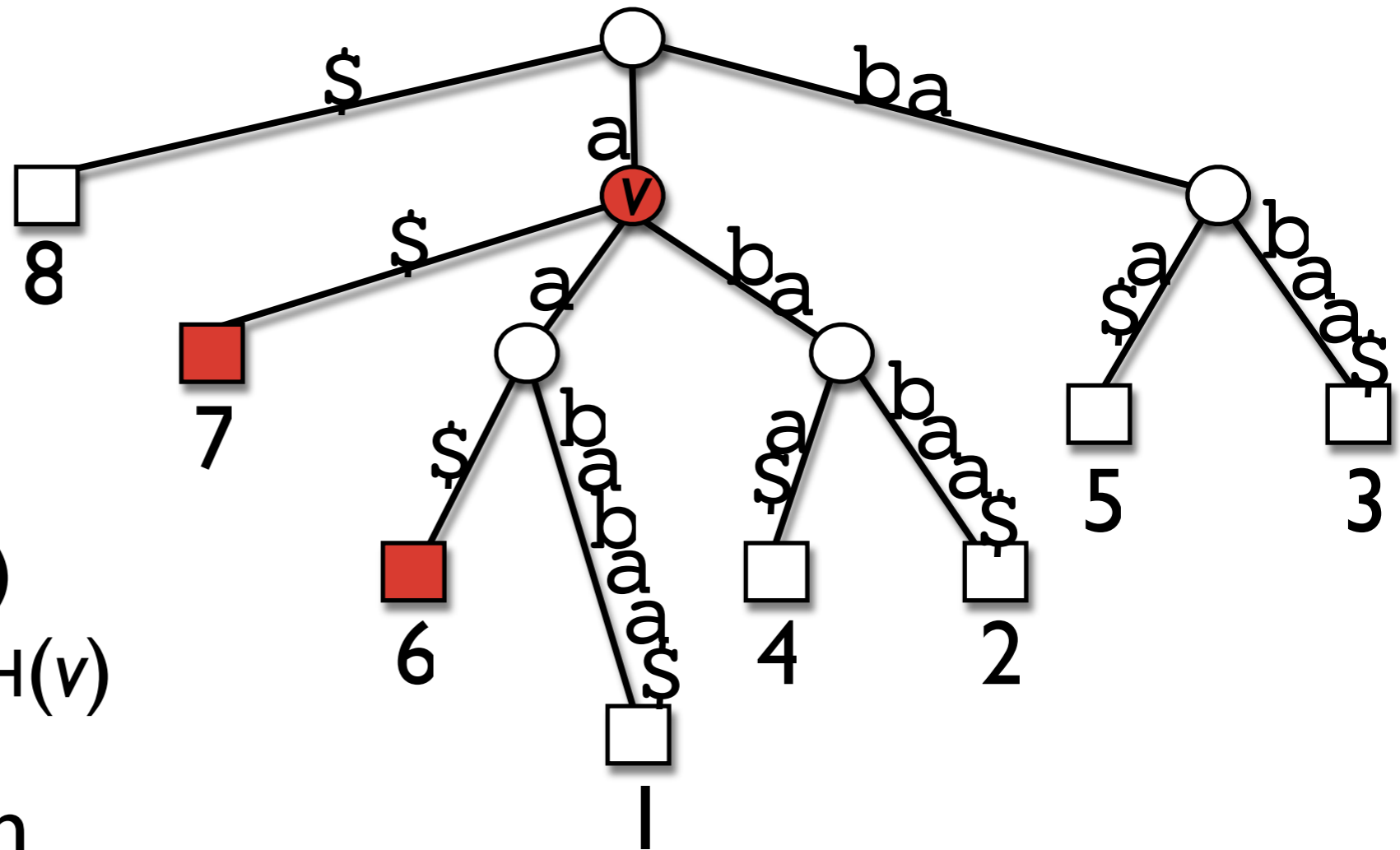


$$A = 8, 7, 6, 1, 4, 2, 5, 3$$

$$H = -1, 0, 1, 2, 1, 3, 0, 2$$

Intervals $[v_l, v_r]$ in H

1. $H[i] \geq \text{SDEPTH}(v)$
 $\forall v_l < i \leq v_r$
2. $H[v_l] < \text{SDEPTH}(v)$
 $H[v_r + 1] < \text{SDEPTH}(v)$
3. $\exists v_l < i \leq v_r$ with
 $H[i] = \text{SDEPTH}(v)$



$$A = 8, \underbrace{7, 6, 1, 4, 2}_{v_l \quad v_r}, 5, 3$$

$$H = -1, 0, \underbrace{1}, 2, 1, 3, 0, 2$$

Consequences

1. $H[i] \geq \text{SDEPTH}(v)$ \longrightarrow (1) given v_l & v_r : compute i
 $\forall v_l < i \leq v_r$ by $i \leftarrow \text{RMQ}_H(v_l+1, v_r)$
2. $H[v_l] < \text{SDEPTH}(v)$
 $H[v_r+1] < \text{SDEPTH}(v)$
3. $\exists v_l < i \leq v_r$ with
 $H[i] = \text{SDEPTH}(v)$

$$A = 8, \underbrace{7, 6, 1, 4, 2}_{v_l \quad v_r}, 5, 3$$

$$H = -1, 0, \underbrace{1}_{i}, 2, 1, 3, 0, 2$$

Consequences

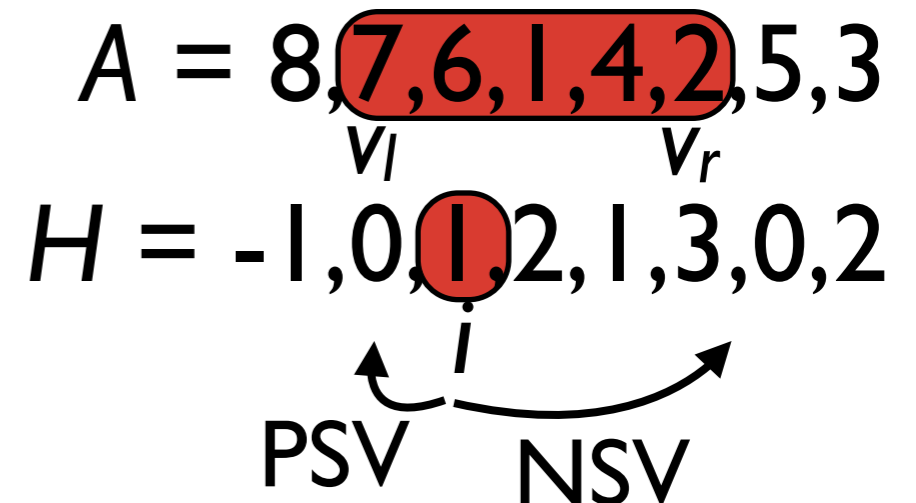
1. $H[i] \geq \text{SDEPTH}(v)$
 $\forall v_l < i \leq v_r$

2. $H[v_l] < \text{SDEPTH}(v)$
 $H[v_r + 1] < \text{SDEPTH}(v)$

3. $\exists v_l < i \leq v_r$ with
 $H[i] = \text{SDEPTH}(v)$

(1) given v_l & v_r : compute i
 by $i \leftarrow \text{RMQ}_H(v_l + 1, v_r)$

(2) given i : compute
 $v_l \leftarrow \text{PSV}_H(i)$
 $v_r \leftarrow \text{NSV}_H(i) - 1$



3 Components of CST

A: compressed
(sampled) suffix array

H: compressed
LCP-array

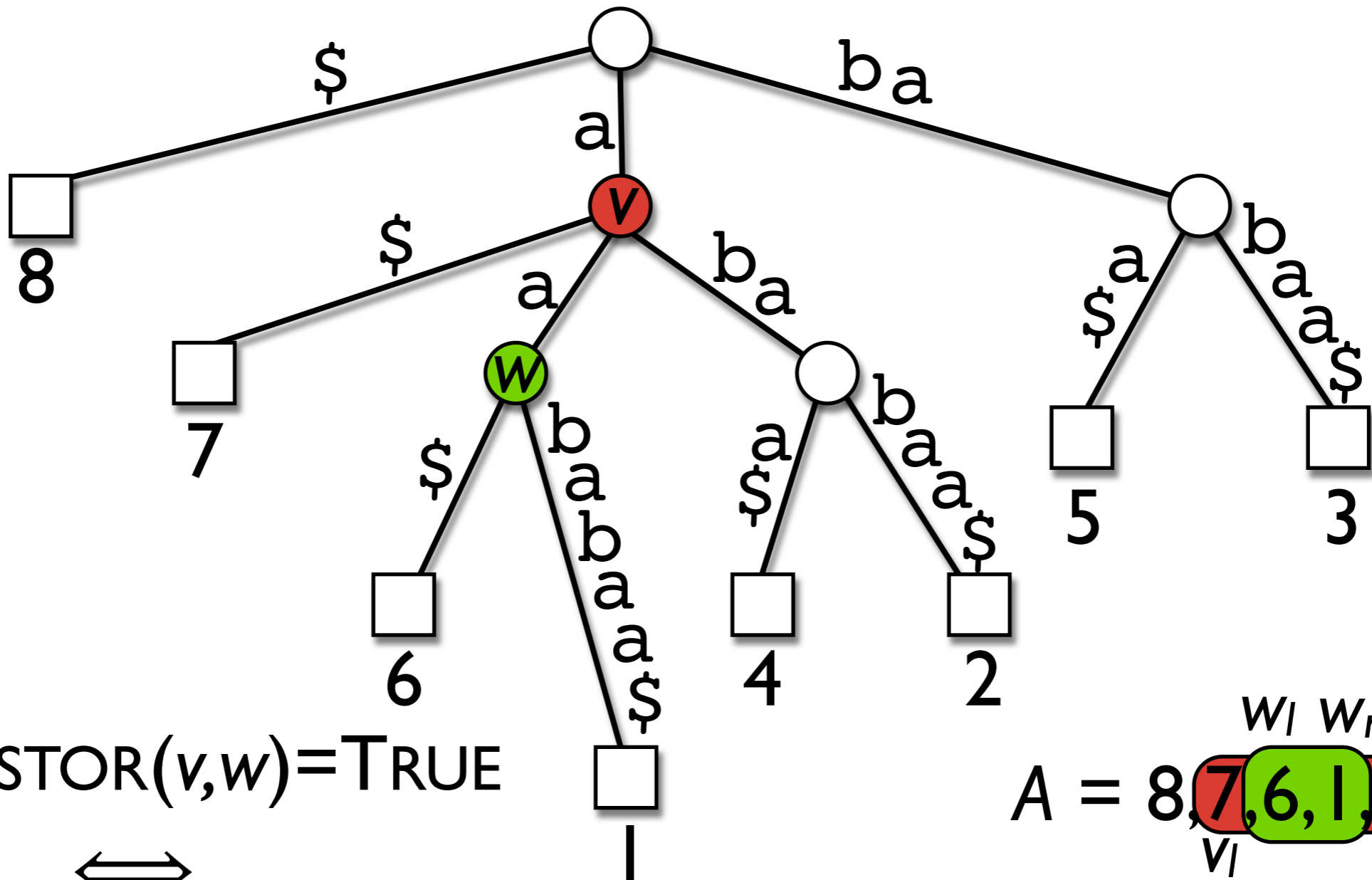
next
week

compressed RMQ &
PSV/NSV on LCP

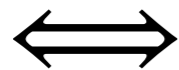
CST

node v represented by interval $[v_l, v_r]$ in H (or A)

ISANCESTOR(v,w)



ISANCESTOR(v,w)=TRUE

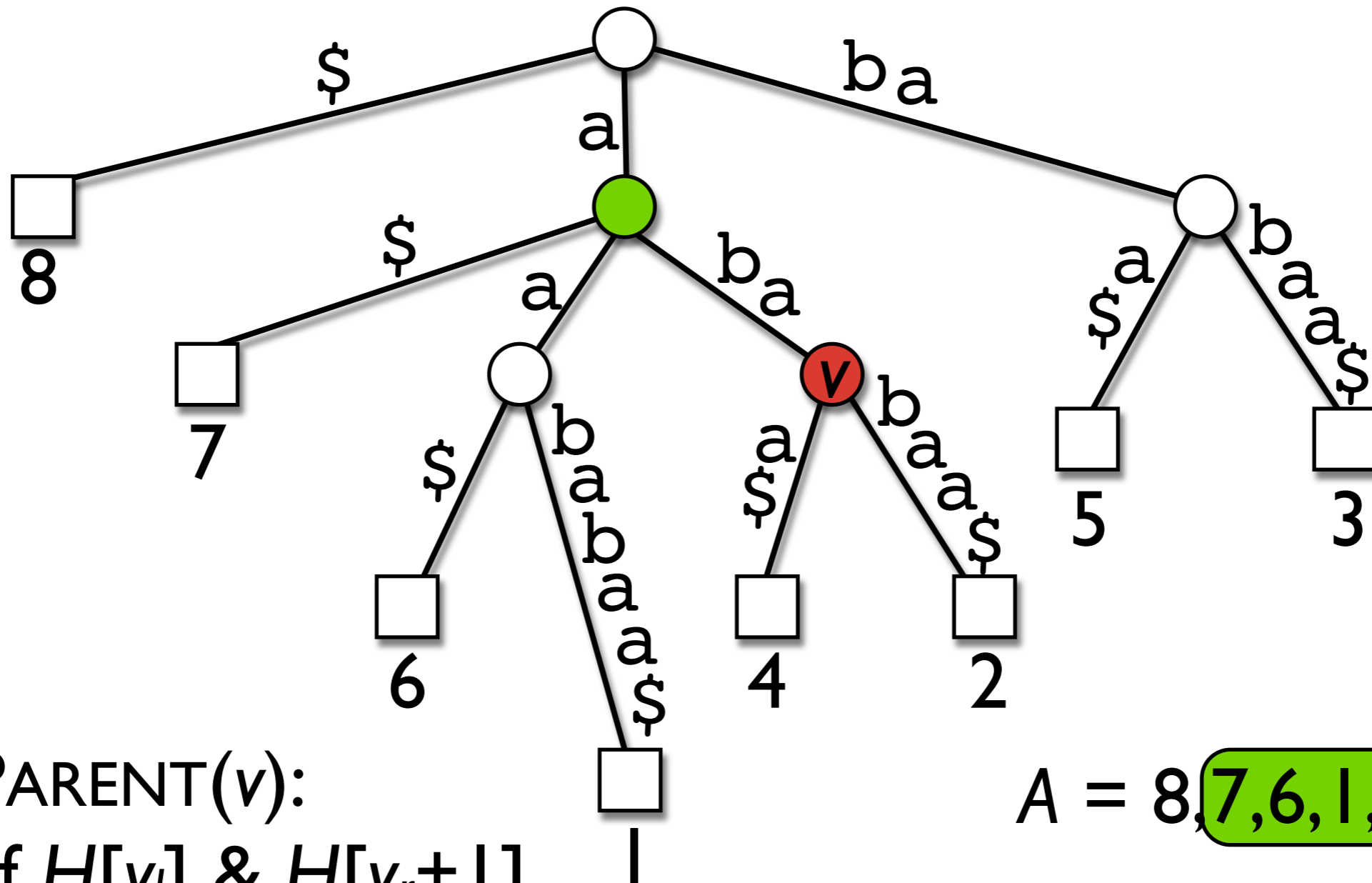


$$V_l \leq W_r \leq V_r$$

$$A = 8, \underset{V_l}{7}, \overset{W_l}{6}, \overset{W_r}{1}, \underset{V_r}{4}, 2, 5, 3$$

$$H = -1, 0, 1, 2, 1, 3, 0, 2$$

PARENT(v)



PARENT(v):

larger of $H[v_l]$ & $H[v_r+1]$
is SDEPTH of parent!

$A = 8, 7, 6, 1, 4, 2, 5, 3$

$H = -1, 0, 1, 2, 1, 3, 0, 2$



ST Operations

| Operation | Description |
|-------------------------------------|--|
| ROOT() | return root |
| COUNT(v) | count leaves below v |
| ISANCESTOR(v,w) | true if v is an ancestor of w ✓ |
| ISLEAF (v) | true if v is a leaf |
| LEAFLABEL(v) | suffix number represented by leaf v |
| SDEPTH(v) | string depth of v |
| PARENT(v) | parent node of v ✓ |
| FIRSTCHILD(v) | first (alphabetically smallest) child of v |
| NEXTSIBLING(v) | next sibling of v |
| EDGELABEL(v,i) | i 'th letter on the edge leading to v |
| LCA(v,w) | lowest common ancestor of v and w |

Summary

- Represent ST nodes by **intervals**
 - Simulate operations by **RMQs** and **PSVs/NSVs** on LCP-array
- ⇒ suffix and LCP-array **replace** suffix tree
- for a completely compressed ST:
 - ▶ compress LCP-array
 - ▶ small-space solutions for RMQ/PSV/NSV